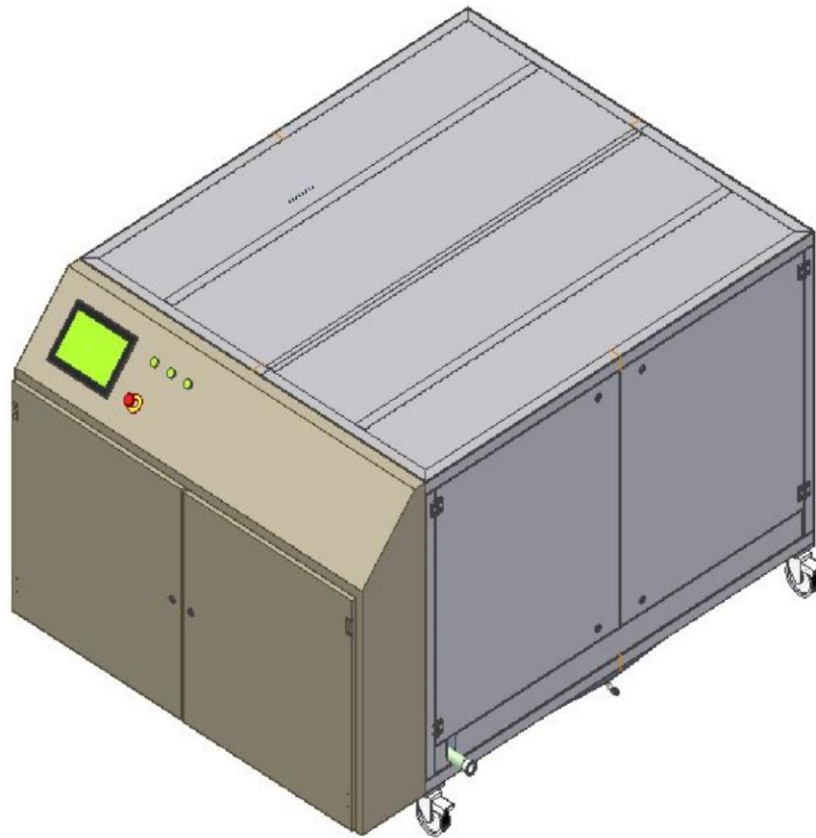


Sure Pure
Dammstrasse 19
CH-6301
Zug
Switzerland

SP40C



SPECIFICATION SHEET



The SP system incorporates technology that cold purifies turbid liquids, to inactivate contaminating micro-organisms including pathogens.

INSTALLATION INFORMATION

Product Pipe outlet length:	89 mm	Product Pipe inlet length:	70 mm						
Product Pipe outlet diameter:	NW40 / 40mm	Product Pipe outlet diameter:	NW40 / 40mm						
Product pipe Connection type:	NW40 male	Product pipe Connection type:	NW40 male						
Union Type:	DIN	Union Type:	DIN						
MOC:	AISI 316	MOC:	AISI 316						
Welding union with long ends		Welding union with long ends							
Nominal diameter:	40mm	Nominal diameter:	40mm						
Inside diameter:	38mm	Inside diameter:	38mm						
Nut diameter:	78mm	Nut diameter:	78mm						
Cable – Inlet:	<i>None currently supplied</i>	Cable – Outlet	<i>None currently supplied</i>						
Electrical Supply:	415V, Three phase, 50Hz And Neutral, with Earth	on demand:	480 volt 3 phase, 60 Hz						
Cleaning:	SP40M can be “cleaned in place” (CIP), integrated with CIP Operating Procedures and Protocols of the relevant processing facility.								
Integration:	Process integration and process controls are dependent on specific Installation needs. Control interfaces and Process controls will be designed accordingly, and will vary.								
Clear space needed:	<table border="0"> <tr> <td>Front (Control Side) of SP40C:</td> <td>Minimum 1,000mm</td> </tr> <tr> <td>Back:</td> <td>100mm</td> </tr> <tr> <td>Sides:</td> <td>200mm</td> </tr> </table>			Front (Control Side) of SP40C:	Minimum 1,000mm	Back:	100mm	Sides:	200mm
Front (Control Side) of SP40C:	Minimum 1,000mm								
Back:	100mm								
Sides:	200mm								

OPERATING INFORMATION

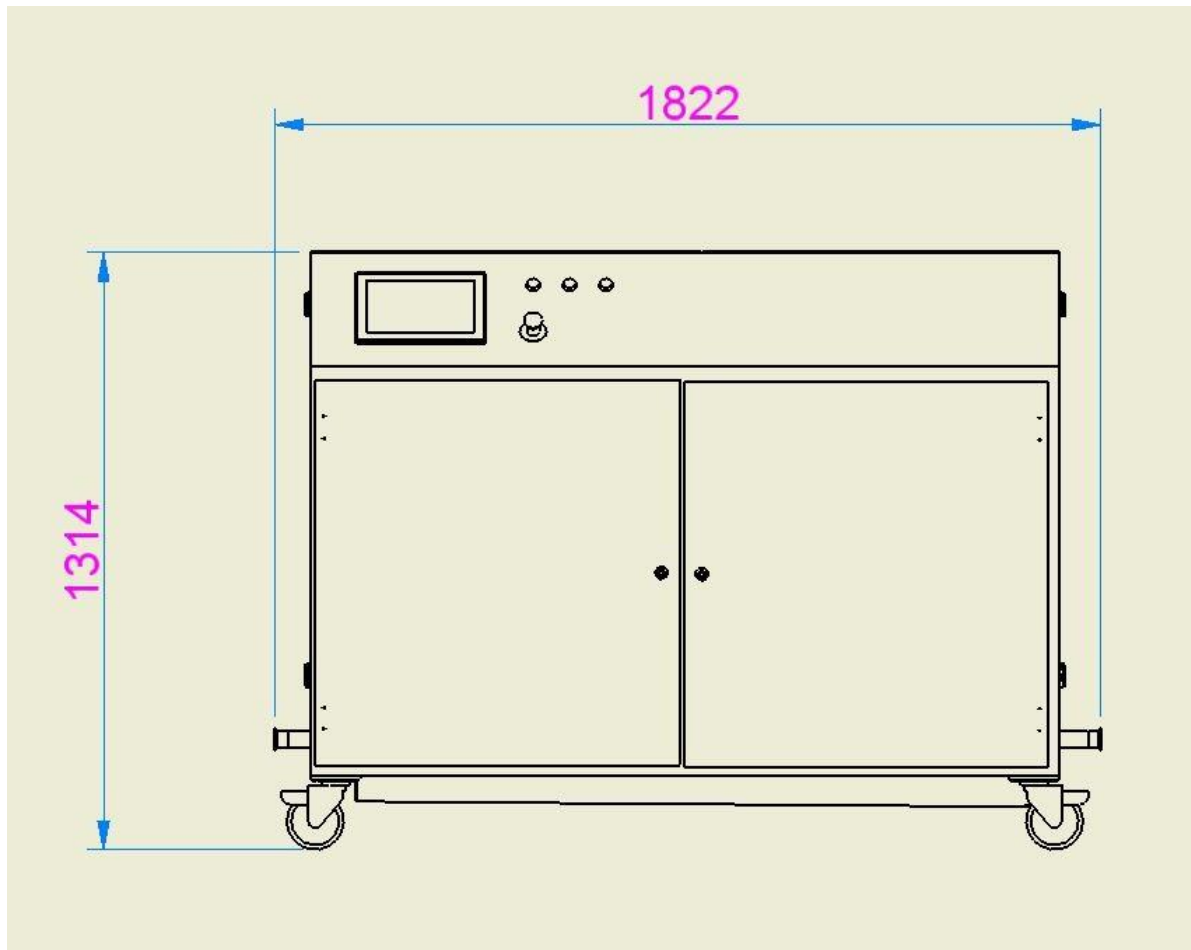
Processing Flow rate range:	2,000-4,500ℓ/hr	Maximum Designed Flow rate (Viscosities up to 70cP):	6,000ℓ/hr
Maximum operating pressure over system:	14 bar	Maximum design pressure:	16 bar
Maximum tested temperature of media pumped:	105°C	Minimum tested temperature of media pumped:	2°C

ELECTRICAL INFO

4 X Fans (each):	AC 1.75A		
Lamps	AC 16.00A	PLC:	AC 0.5A
Single lamp:	AC 0.40A	All active (Neutral):	AC 16.00A
All Lamps On:	AC 16.00A	Phase 1:	AC .0A
Phase 2:	AC .0A	Phase 3:	AC .0A

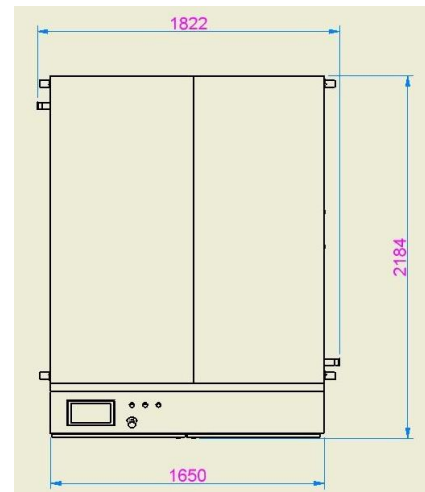
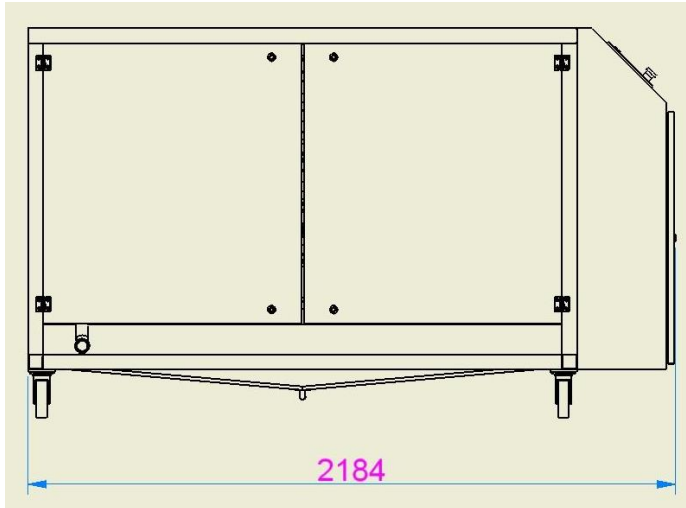
SP40C

Front View



Side View

Top View



STATIC DIMENSIONS

SP40C	Overall Height Including rolls: 1314 mm
Dimensions cabinet with doors off –	Overall dimensions Including pipes
Length: 2184 mm	Length: 2184 mm
Width: 1650 mm	Width: 1822 mm

ADDITIONAL SPECS

Dry Mass: 605 kg	Liquid holding volume: 81ℓ
-------------------------	-----------------------------------

SurePure reserves the right to amend and improve any of the specification sheets without prior notice.